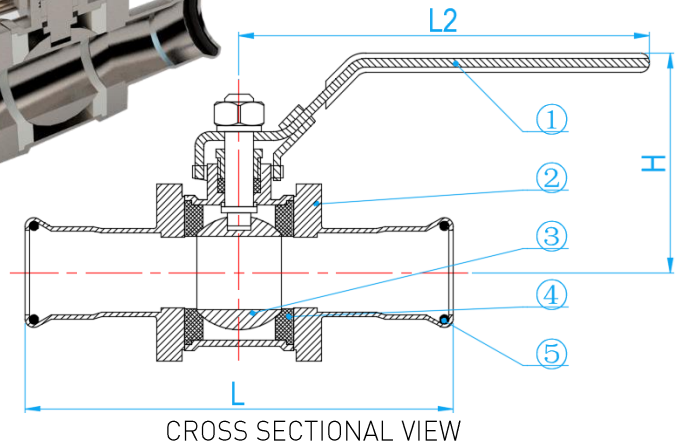
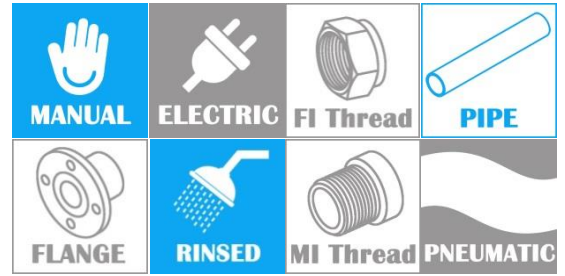


STAINLESS STEEL 304 PRESS-FIT BALL VALVE

COMPLY WITH BSEN13828:2003
AS/NZS 4020:2005
SS 375:2015


COMPONENT PARTS

ITEM	PARTS	MATERIAL
1	Handle	PVC Coated AISI304
2	Valve Body	AISI304
3	Ball	AISI304
4	Seat	PTFE
5	O-Ring	EPDM

STANDARD SPECIFICATIONS

Max Pressure	16bars
Working Medium	Water
Working Temperature	-20°C ≤ t ≤ 120 °C

DIMENSIONS

SKU	DN (mm)	SIZE (inch)	H (mm)	L (mm)	L2 (mm)	WEIGHT (kg)	PCS/CTN
BVSSPFN015	15	1/2"	53	117	95	0.555	28
BVSSPFN020	20	3/4"	63	128	110	0.785	24
BVSSPFN025	25	1"	73	144	120	1.020	15
BVSSPFN035	32	1 1/4"	92	159	145	1.485	9
BVSSPFN042	42	1 1/2"	93	183	155	2.015	6
BVSSPFN050	50	2"	100	212	170	2.810	6
BVSSPFN065	65	2 1/2"	123	286	180	5.635	1
BVSSPFN080	80	3"	146	312	190	8.725	1
BVSSPFN100	100	4"	163	392	200	16.145	1